

## Service Trolleys 4 Dishwasher Rack Trolley

ITEM # \_\_\_\_\_

MODEL # \_\_\_\_\_

NAME # \_\_\_\_\_

SIS # \_\_\_\_\_

AIA # \_\_\_\_\_



361244 (DRT4)

4-Dishwasher Rack Trolley

### Short Form Specification

Item No. \_\_\_\_\_

Constructed in 304 AISI stainless steel. Framework in mm25 tubing, completely welded. The L-shaped runners, with an upturn at each end, can accommodate mm500x500 dishwashing baskets. The handle is an extension of the load-bearing frame. N. 4 swivelling castors, two with brakes, mm125 in diameter, fitted with plastic bumpers.

### Main Features

- Framework in 25 mm tubing, completely welded.
- L-shaped runners, with upturn at each end.
- Designed to transport 500x500 mm dishwashing baskets.
- Handle is an extension of the load-bearing frame.
- 4 pivoting Ø 125 mm wheels, 2 of which with brakes, fitted with plastic bumpers

### Construction

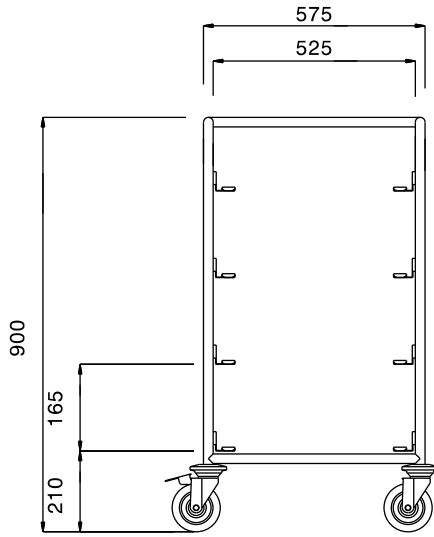
- Constructed entirely in 304 AISI stainless steel.

APPROVAL: \_\_\_\_\_

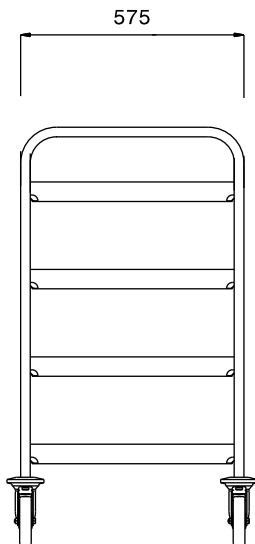
**Key Information:**

<b>External dimensions, Width:</b>	
<b>361244 (DRT4)</b>	645 mm
<b>External dimensions, Depth:</b>	645 mm
<b>External dimensions, Height:</b>	900 mm
<b>Wheel material:</b>	Zinc plated
<b>Wheel diameter:</b>	Ø 125
<b>Net weight:</b>	14 kg

Front



Side



Top

